

# Charging cable with connector T1 Mode 3, Straight, 8m



## General information

Part no.:	E-323151X080
Type vehicle side	Type 1, Type 2, AC 1-phase
Specification/Norm	IEC 61851-1

## Charging connector and charging plug

Arrangement of phases	2p+PE and CS+CP
Current	32A
Current control contacts	2A
Rated operating voltage	200-250V
Rated operating voltage contro	30V
Insulation voltage	500V
Mean time to failure MTTF	>10 000 connections without load
information of protection	IP44
IP-Protection	IP44

## Charging connector and charging plug

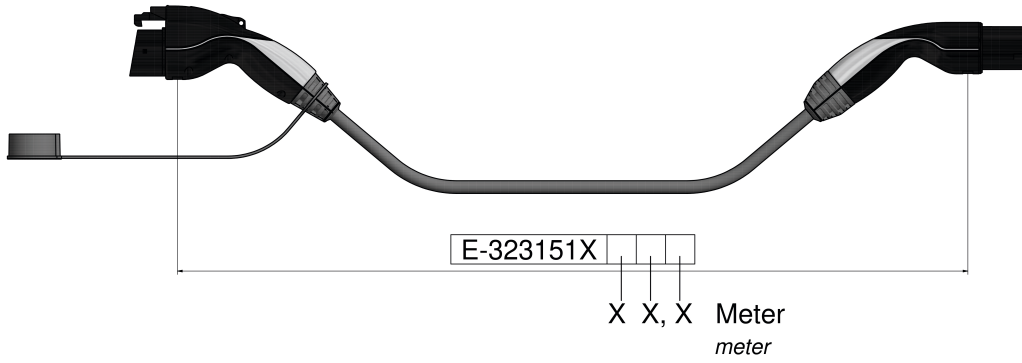
Operating temperature range	-30°C - +50°C
Charging connector VDE certifi	40040174
Plug VDE certificate no.	40038626
Proximity circuit	220 Ohm
Locking	Locking lug Ø5mm for padlock, allowing an locking of the charging connector during the charging process
Contact surface material	Silver plated brass
Material of enclosure	strengthened thermo-shape material
Colour vehicle side	upper part black, midsection grey aluminium, lower part black
Colour infrastructure side	upper part black, midsection grey aluminium, lower part black

## Charging cable

Charging capacity (kW)	7.4kW
Rated voltage	450/750V
Temperature resistance chargin	-40°C to +80°C
Description of the charging ca	Halogen free, flame-resistant, high mechanical resistance, very good cold flexibility, very good oil and fuel resistance, UV-, ozone resistant and weatherproof
Cross-section current-carrying	3 x 6,0mm <sup>2</sup>
Cross section signal conductor	1 x 0,50mm <sup>2</sup>
Insulation conductors	EPR (3G) EVI-2 (DIN EN 50620)
Cord length	8m
Jacket material	TPE-U (11Y) EVM-1 (n. DIN EN 50620 acc. to DIN EN 50620)
Cable colour	black
Outer diameter D	12,8 ± 0,40 mm
Minimum bending radius static	4 x D
Minimum bending radius dynamic	7,5 x D
Handling	Incorrect use caused by torsional stress together with simultaneous expansion of cable should be avoided
Standards charging cable	ISO 4982-2, DIN EN 50363-10-2, DIN EN 50267-2-1, IEC 60228, DIN EN 50620, IEC 60332-1

## Dimensional drawing

Further cable lengths and individual colour adjustment on request.  
 Passing on to third parties only with the approval of Bals Elektrotechnik GmbH & Co. KG  
 Subject to technical modifications and typographical errors  
 Only valid at the time of printing. In case of recycling, check the current version.



Beispiel: E-323151X 1 1 5 = 11,5 Meter  
example: meter