

Charging cable with connector T2 Mode 3, Straight, 10m



General information

| | |
|--------------------|--|
| Part no.: | E-332151-100B |
| Type vehicle side | Type 2, free conductor end, AC 3-phase |
| Specification/Norm | IEC 61851-1 |

Charging connector and charging plug

| | |
|--------------------------------|----------------------------------|
| Arrangement of phases | 3p+N+PE and PP+CP |
| Current | 32A |
| Current control contacts | 2A |
| Rated operating voltage | 200/346-240/415V |
| Rated operating voltage contro | 30V |
| Insulation voltage | 500V |
| Mean time to failure MTTF | >10 000 connections without load |
| information of protection | IP44 |
| IP-Protection | IP44 |

Charging connector and charging plug

| | |
|--------------------------------|---|
| Operating temperature range | -30°C - +50°C |
| Charging connector VDE certifi | 40038624 |
| Proximity circuit | 220 Ohm |
| Contact surface material | Silver plated brass |
| Material of enclosure | strengthened thermo-shape material |
| Colour vehicle side | upper part black, midsection grey aluminium, lower part black |

Charging cable

| | |
|--------------------------------|---|
| Charging capacity (kW) | 22kW |
| Rated voltage | 450/750V |
| Temperature resistance chargin | -40°C to +80°C |
| Description of the charging ca | Halogen free, flame-resistant, high mechanical resistance, very good cold flexibility, very good oil and fuel resistance, UV-, ozone resistant and weatherproof |
| Cross-section current-carrying | 5 x 6,0mm ² |
| Cross section signal conductor | 1 x 0,50mm ² |
| Insulation conductors | EPR (3G) EVI-2 (DIN EN 50620) |
| Cord length | 10m |
| Jacket material | TPE-U (11Y) EVM-1 (n. DIN EN 50620 acc. to DIN EN 50620) |
| Cable colour | black |
| Outer diameter D | 16,0 ± 0,50 mm |
| Minimum bending radius static | 4 x D |
| Minimum bending radius dynamic | 7,5 x D |
| Handling | Incorrect use caused by torsional stress together with simultaneous expansion of cable should be avoided |
| Standards charging cable | ISO 4982-2, DIN EN 50363-10-2, DIN EN 50267-2-1, IEC 60228, DIN EN 50620, IEC 60332-1 |

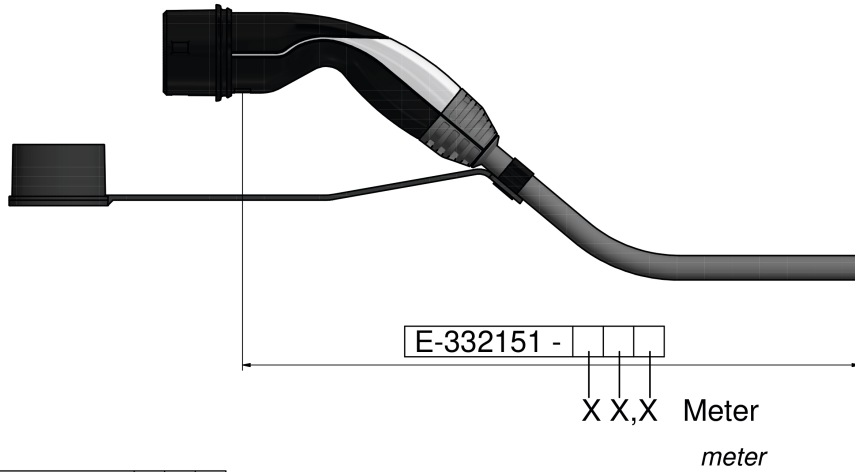
Dimensional drawing

Further cable lengths and individual colour adjustment on request.

Passing on to third parties only with the approval of Bals Elektrotechnik GmbH & Co. KG

Subject to technical modifications and typographical errors

Only valid at the time of printing. In case of recycling, check the current version.



Beispiel:

| | | | |
|------------|---|---|---|
| E-332151 - | 1 | 1 | 5 |
|------------|---|---|---|

 = 11,5 Meter
example: *meter*