

# Charging socket Rear mounting



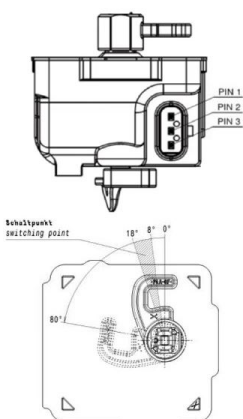
## Charging socket

|                                |   |
|--------------------------------|---|
| Part no.:                      | E-80205-16  |
| Protection class installed     | IP54  |
| Arrangement of phases          | 3p+N+PE and PP+CP   |
| Current                        | 20A   |
| Current control contacts       | 2A  |
| Rated operating voltage        | 200/346-240/415V  |
| Rated operating voltage contro | 30V   |
| Insulation voltage             | 500V  |
| Mean time to failure MTF       | >10 000 connections without load  |
| Contact surface material       | Silver plated brass   |
| Connection design              | Screw connection, conductor cross-section up to 4mm <sup>2</sup> and 0.5mm <sup>2</sup> for CP and PP |
| Material of enclosure          | strengthened thermo-shape material  |
| Colour of appliance            | Enclosure black RAL 9005  |

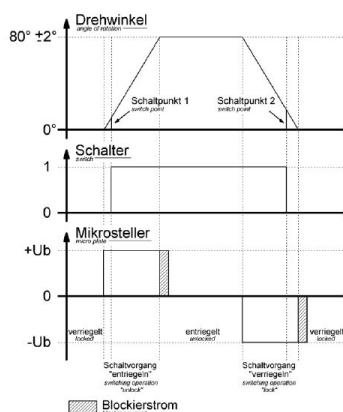
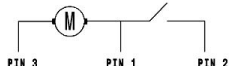
## Actuator - Interlocking system

|                             |  |
|-----------------------------|--|
| Number of poles actuator    | 3p   |
| Nominal voltage             | 12V DC   |
| Operating voltage actuator  | 9V - 15,5V DC  |
| Maximum current consumption | 3,2A   |
| No load current             | ≤250mA   |
| Actuating time              | 200ms < t < 10s, Voltage and temperature dependent, not suitable for permanents power supply                           |
| Stability of stop position  | ≤6° (with short-circuited motor)   |
| Operating temperature range | -30°C to +50°C   |
| Life time                   | 60,000 switching cycles in total   |
| Assembly element            | fixable push-together system   |
| Connection for actuator     | connecting cable with junction Type E-314-1000 (1000mm length – 3x0,5mm <sup>2</sup> ) - Not included in the delivery. |

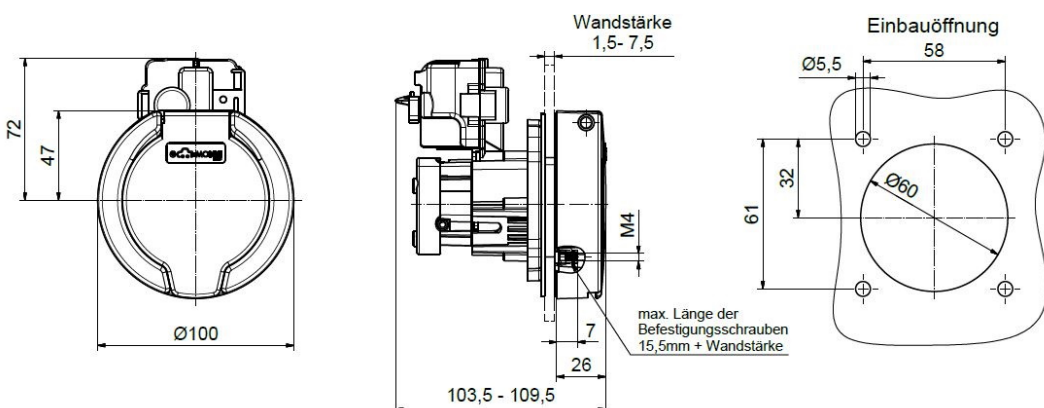
## Connection table - Actuator



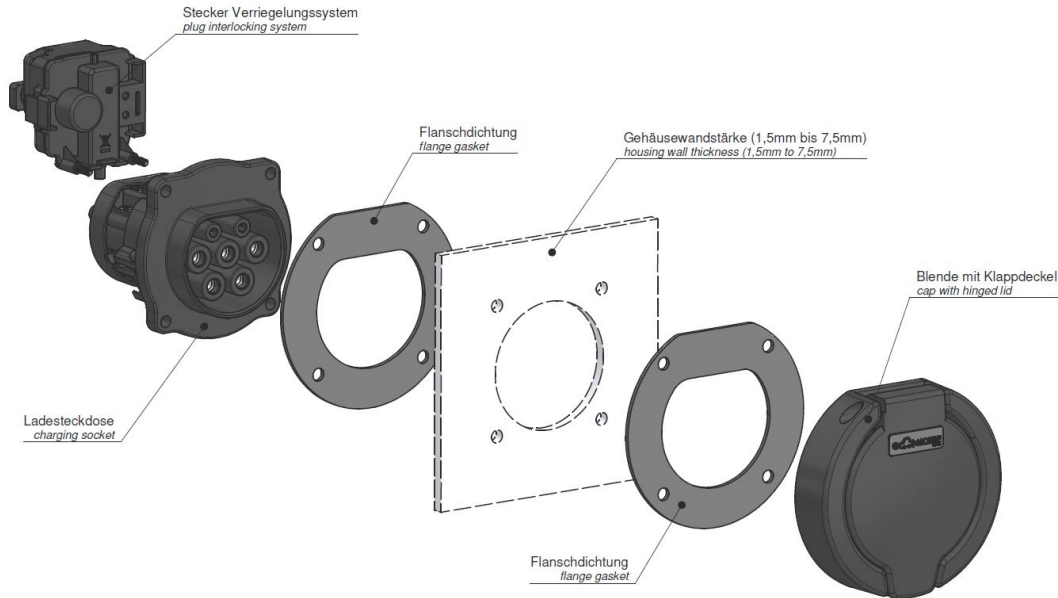
| Funktion<br>function       | PIN 1 | PIN 3 |
|----------------------------|-------|-------|
| Entriegeln<br>unlocking    | -     | +     |
| Verriegeln<br>interlocking | +     | -     |



## Dimensional drawing



## Exploded view



Further cable lengths and individual colour adjustment on request.  
Passing on to third parties only with the approval of Bals Elektrotechnik GmbH & Co. KG  
Subject to technical modifications and typographical errors  
Only valid at the time of printing. In case of recycling, check the current version.