

Charging socket Front mounting



Charging socket

| | |
|--------------------------------|---|
| Part no.: | E-81192-32 |
| Protection class installed | IP54 |
| Arrangement of phases | 3p+N+PE and PP+CP |
| Current | 32A |
| Current control contacts | 2A |
| Rated operating voltage | 200/346-240/415V |
| Rated operating voltage contro | 30V |
| Insulation voltage | 500V |
| Mean time to failure MTTF | >10 000 connections without load |
| Contact surface material | Silver plated brass |
| Connection design | Screw connection, Conductor cross-section from 2.5mm ² to 10mm ² and 0.5mm ² for CP and PP |
| Material of enclosure | strengthened thermo-shape material |
| Colour of appliance | Enclosure black RAL 9005 |

Actuator - Interlocking system

| | |
|-----------------------------|--|
| Number of poles actuator | 3p |
| Nominal voltage | 12V DC |
| Operating voltage actuator | 9V - 15,5V DC |
| Maximum current consumption | 3,2A |
| No load current | ≤250mA |
| Actuating time | 200ms < t < 10s, Voltage and temperature dependent, not suitable for permanents power supply |
| Stability of stop position | ≤6° (with short-circuited motor) |
| Operating temperature range | -30°C to +50°C |
| Life time | 60,000 switching cycles in total |
| Assembly element | fixable push-together system on charging plug interlock/ frame construction on hinged lid interlocking 0 |

Connection for actuator connecting cable with junction Type E-314-1000 (1000mm length – 3x0,5mm²) - Not included in the delivery.

Connection table - Actuator

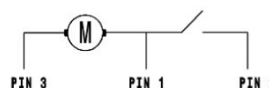
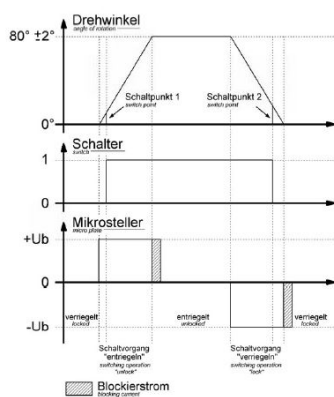
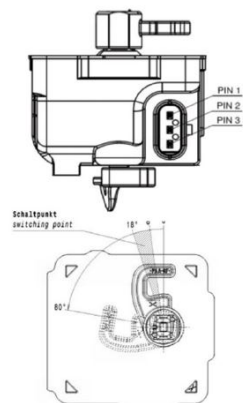
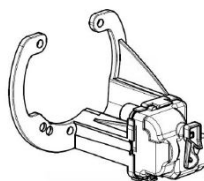
Ladesteckerverriegelung
plug interlock

| Funktion function | PIN 1 | PIN 3 |
|----------------------------|-------|-------|
| Entriegeln unlocking | - | + |
| Verriegeln interlocking | + | - |



Klappdeckelverriegelung
hinged lid interlock

| Funktion function | PIN 1 | PIN 3 |
|----------------------------|-------|-------|
| Entriegeln unlocking | + | - |
| Verriegeln interlocking | - | + |



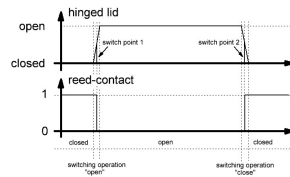
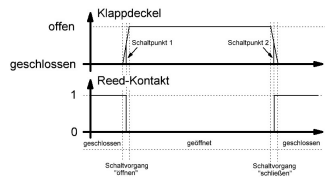
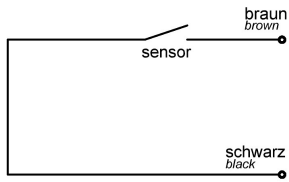
Hinged lid sensor

| | |
|----------------------------|------|
| Number of poles hinged lid | 2p |
| Carry current | 0,5A |
| Switching current | 0,5A |
| Sensor resistance | 280m |

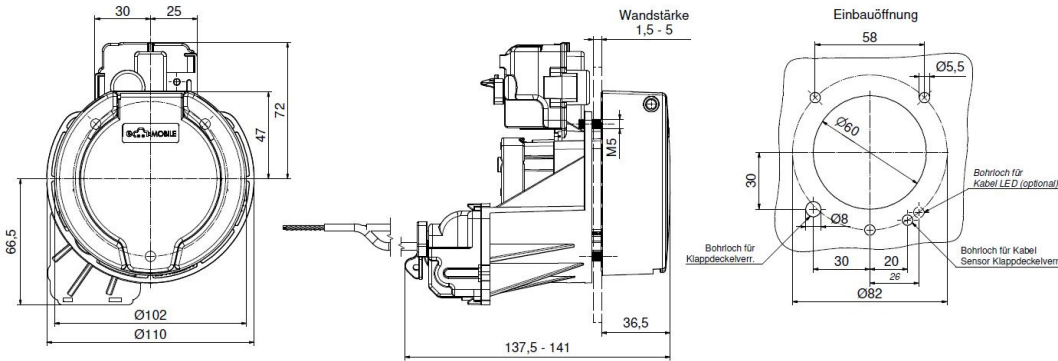
Connection cable hinged lid se 1000mm length - 2x0,5mm² Ends tin plated

Connection table - Hinged lid sensor / LED lighting

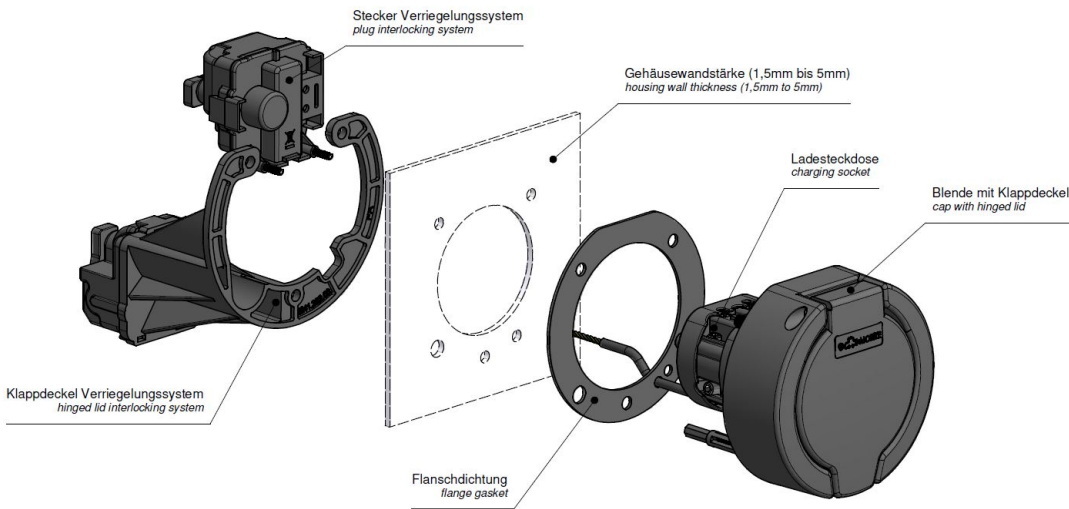
Klappdeckelsensor Schaltplan
hinged lid sensor diagram



Dimensional drawing



Exploded view



Further cable lengths and individual colour adjustment on request.
 Passing on to third parties only with the approval of Bals Elektrotechnik GmbH & Co. KG
 Subject to technical modifications and typographical errors
 Only valid at the time of printing. In case of recycling, check the current version.