

## Charging socket Front mounting



### Charging socket

Part no.:	E-81192-63
Protection class installed	IP54
Arrangement of phases	3p+N+PE and PP+CP
Current	63A
Current control contacts	2A
Rated operating voltage	200/346-240/415V
Rated operating voltage contro	30V
Insulation voltage	500V
Mean time to failure MTTF	>10 000 connections without load
Contact surface material	Silver plated brass
Connection design	Screw connection, Conductor cross-section from 6mm <sup>2</sup> to 25mm <sup>2</sup> and 0,5mm <sup>2</sup> for CP and PP
Material of enclosure	strengthened thermo-shape material
Colour of appliance	Enclosure black RAL 9005

## Actuator - Interlocking system

Number of poles actuator	3p
Nominal voltage	12V DC
Operating voltage actuator	9V - 15,5V DC
Maximum current consumption	3,2A
No load current	≤250mA
Actuating time	200ms < t < 10s, Voltage and temperature dependent, not suitable for permanents power supply
Stability of stop position	≤6° (with short-circuited motor)
Operating temperature range	-30°C to +50°C
Life time	60,000 switching cycles in total
Assembly element	fixable push-together system on charging plug interlock/ frame construction on hinged lid interlocking 0

Connection for actuator connecting cable with junction Type E-314-1000 (1000mm length – 3x0,5mm<sup>2</sup>) - Not included in the delivery.

## Connection table - Actuator

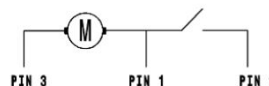
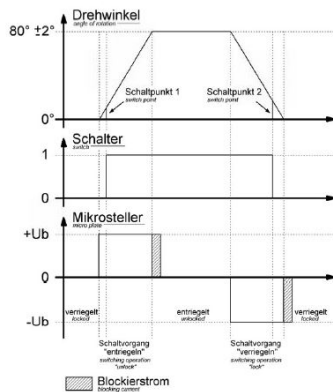
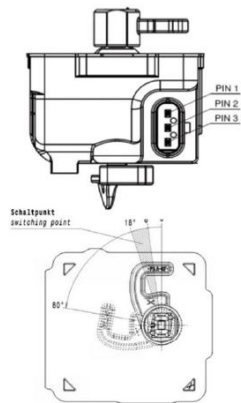
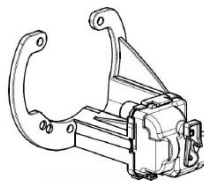
Ladesteckerverriegelung  
plug interlock

Funktion function	PIN 1	PIN 3
Entriegeln unlocking	-	+
Verriegeln interlocking	+	-



Klappdeckelverriegelung  
hinged lid interlock

Funktion function	PIN 1	PIN 3
Entriegeln unlocking	+	-
Verriegeln interlocking	-	+



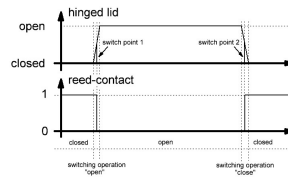
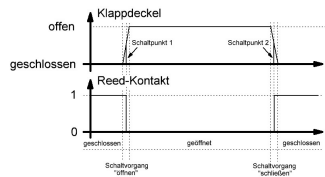
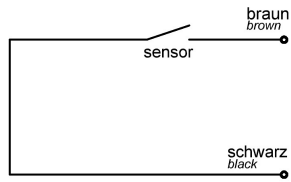
## Hinged lid sensor

Number of poles hinged lid	2p
Carry current	0,5A
Switching current	0,5A
Sensor resistance	280m

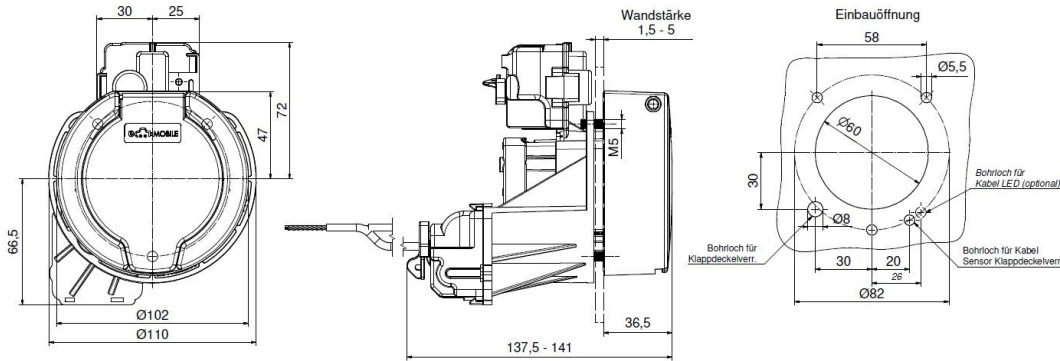
Connection cable hinged lid se 1000mm length - 2x0,5mm<sup>2</sup> Ends tin plated

## Connection table - Hinged lid sensor / LED lighting

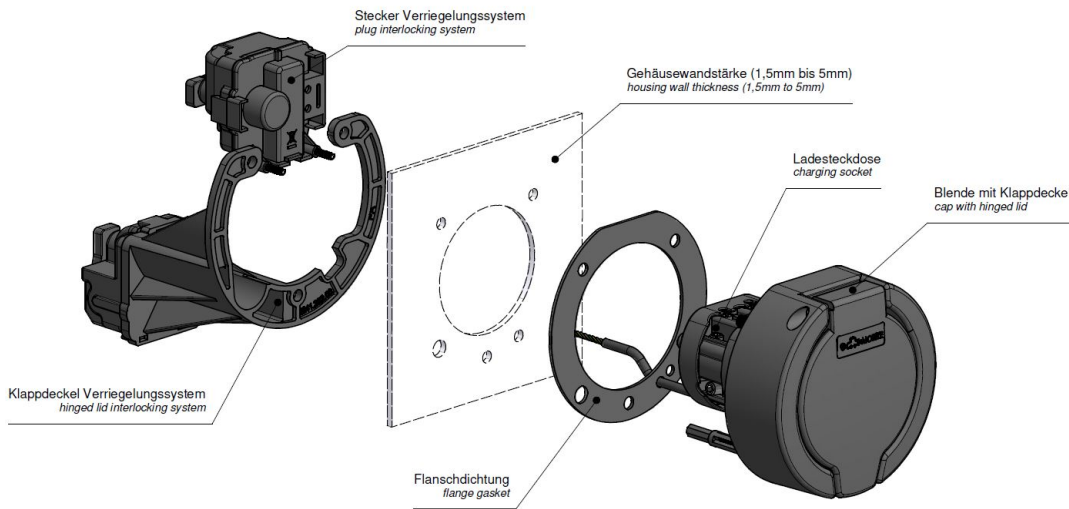
Klappdeckelsensor Schaltplan  
hinged lid sensor diagram



**Dimensional drawing**



**Exploded view**



Further cable lengths and individual colour adjustment on request.  
 Passing on to third parties only with the approval of Bals Elektrotechnik GmbH & Co. KG  
 Subject to technical modifications and typographical errors  
 Only valid at the time of printing. In case of recycling, check the current version.