

# Charging socket Front mounting



## Charging socket

Part no.:	E-81193-16
Protection class installed	IP54
Arrangement of phases	3p+N+PE and PP+CP
Current	20A
Current control contacts	2A
Rated operating voltage	200/346-240/415V
Rated operating voltage contro	30V
Insulation voltage	500V
Mean time to failure MTTF	>10 000 connections without load
Contact surface material	Silver plated brass
Connection design	Screw connection, conductor cross-section up to 4mm <sup>2</sup> and 0.5mm <sup>2</sup> for CP and PP
Material of enclosure	strengthened thermo-shape material
Colour of appliance	Enclosure black RAL 9005

## Actuator - Interlocking system

Number of poles actuator	3p
Nominal voltage	12V DC
Operating voltage actuator	9V - 15,5V DC
Maximum current consumption	3,2A
No load current	≤250mA
Actuating time	200ms < t < 10s, Voltage and temperature dependent, not suitable for permanents power supply
Stability of stop position	≤6° (with short-circuited motor)
Operating temperature range	-30°C to +50°C
Life time	60,000 switching cycles in total
Assembly element	Mounting clamp for charging plug locking device. Mounting frame for hinged lid locking.

Connection for actuator connecting cable with junction Type E-314-1000 (1000mm length – 3x0,5mm<sup>2</sup>) - Not included in the delivery.

## Connection table - Actuator

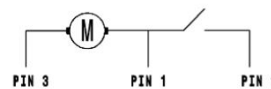
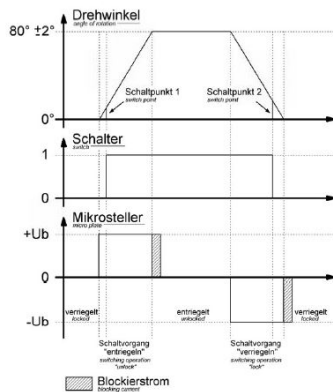
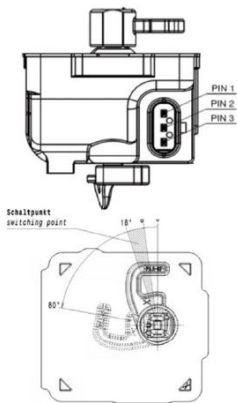
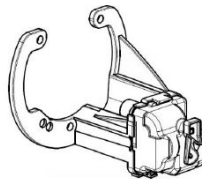
Ladesteckerverriegelung  
plug interlock

Funktion function	PIN 1	PIN 3
Entriegeln unlocking	-	+
Verriegeln interlocking	+	-



Klappdeckelverriegelung  
hinged lid interlock

Funktion function	PIN 1	PIN 3
Entriegeln unlocking	+	-
Verriegeln interlocking	-	+



## LED lighting

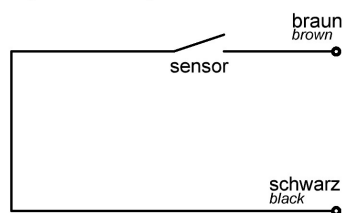
Number of poles LED lighting	4p
Polarity	Common anode
Rated voltage LED	12V DC
Maximum current consumption	75mA
Connection cable LED	1000mm length - 4x0,147mm <sup>2</sup> Ends tin plated

## Hinged lid sensor

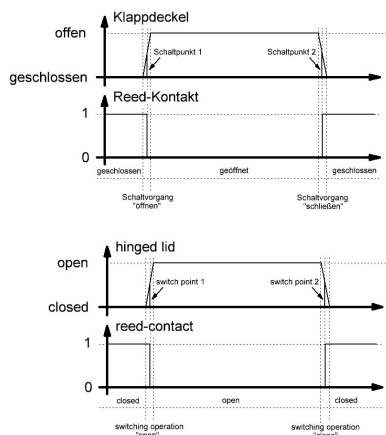
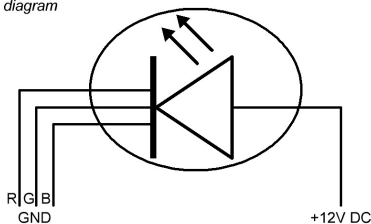
Number of poles hinged lid	2p
Carry current	0,5A
Switching current	0,5A
Sensor resistance	280m
Connection cable hinged lid se	1000mm length - 2x0,5mm <sup>2</sup> Ends tin plated

## Connection table - Hinged lid sensor / LED lighting

Klappdeckelsensor Schaltplan  
hinged lid sensor diagram

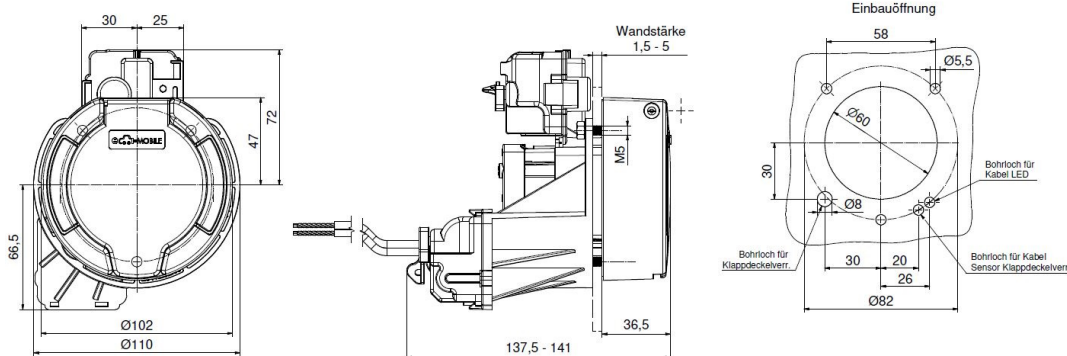


LED Beleuchtung Schaltplan  
LED lightning diagram



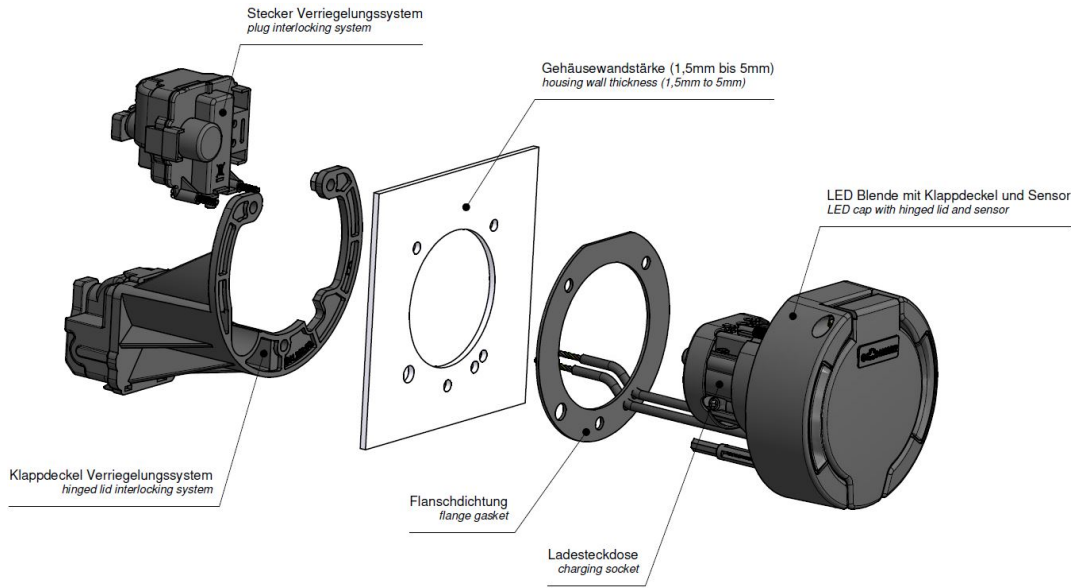
Kennzeichnung symbol	Farbe der Anschlussleitung wire color	Anschluss connection
+12V DC	braun brown	Spannungsquelle +12V DC voltage supply +12V DC
R (GND)	gelb yellow	RGB LED Steuerungsmodul RGB LED controller
G (GND)	grün green	RGB LED Steuerungsmodul RGB LED controller
B (GND)	weiß white	RGB LED Steuerungsmodul RGB LED controller

## Dimensional drawing



## Exploded view

Further cable lengths and individual colour adjustment on request.



Passing on to third parties only with the approval of Bals Elektrotechnik GmbH & Co. KG  
Subject to technical modifications and typographical errors  
Only valid at the time of printing. In case of recycling, check the current version.