

Charging socket Front mounting



Charging socket

Part no.:	E-81193-63
Protection class installed	IP54
Arrangement of phases	3p+N+PE and PP+CP
Current	63A
Current control contacts	2A
Rated operating voltage	200/346-240/415V
Rated operating voltage contro	30V
Insulation voltage	500V
Mean time to failure MTTF	>10 000 connections without load
Contact surface material	Silver plated brass
Connection design	Screw connection, Conductor cross-section from 6mm ² to 25mm ² and 0,5mm ² for CP and PP
Material of enclosure	strengthened thermo-shape material
Colour of appliance	Enclosure black RAL 9005

Actuator - Interlocking system

Number of poles actuator	3p
Nominal voltage	12V DC
Operating voltage actuator	9V - 15,5V DC
Maximum current consumption	3,2A
No load current	≤250mA
Actuating time	200ms < t < 10s, Voltage and temperature dependent, not suitable for permanents power supply
Stability of stop position	≤6° (with short-circuited motor)
Operating temperature range	-30°C to +50°C
Life time	60,000 switching cycles in total
Assembly element	Mounting clamp for charging plug locking device. Mounting frame for hinged lid locking.

Connection for actuator connecting cable with junction Type E-314-1000 (1000mm length – 3x0,5mm²) - Not included in the delivery.

Connection table - Actuator

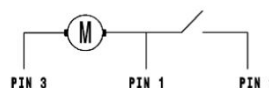
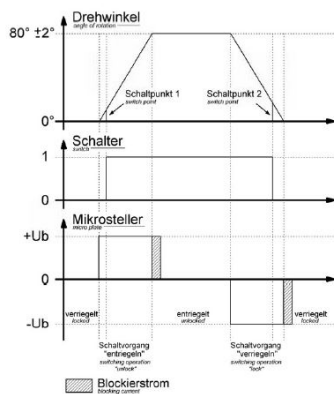
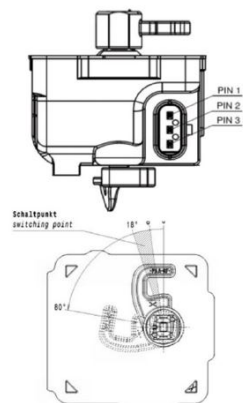
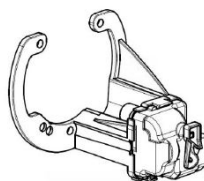
Ladesteckerverriegelung
plug interlock

Funktion function	PIN 1	PIN 3
Entriegeln unlocking	-	+
Verriegeln interlocking	+	-



Klappdeckelverriegelung
hinged lid interlock

Funktion function	PIN 1	PIN 3
Entriegeln unlocking	+	-
Verriegeln interlocking	-	+



LED lighting

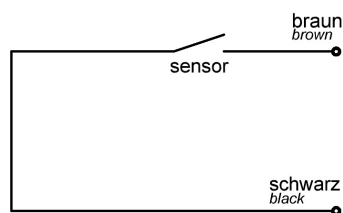
Number of poles LED lighting	4p
Polarity	Common anode
Rated voltage LED	12V DC
Maximum current consumption	75mA
Connection cable LED	1000mm length - 4x0,147mm ² Ends tin plated

Hinged lid sensor

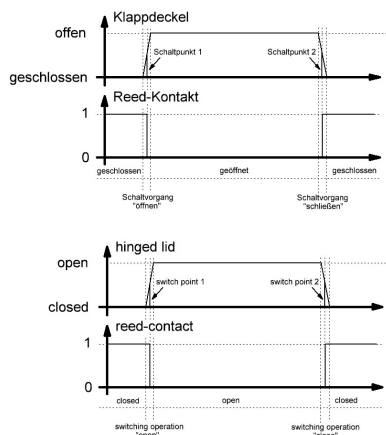
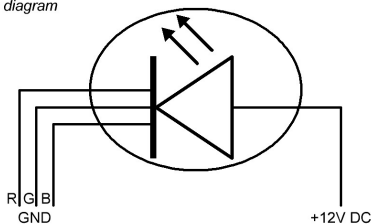
Number of poles hinged lid	2p
Carry current	0,5A
Switching current	0,5A
Sensor resistance	280m
Connection cable hinged lid se	1000mm length - 2x0,5mm ² Ends tin plated

Connection table - Hinged lid sensor / LED lighting

Klappdeckelsensor Schaltplan
hinged lid sensor diagram

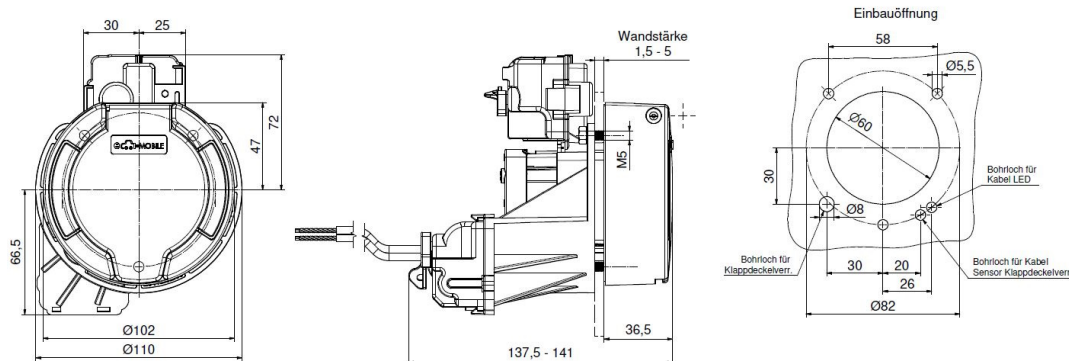


LED Beleuchtung Schaltplan
LED lightning diagram



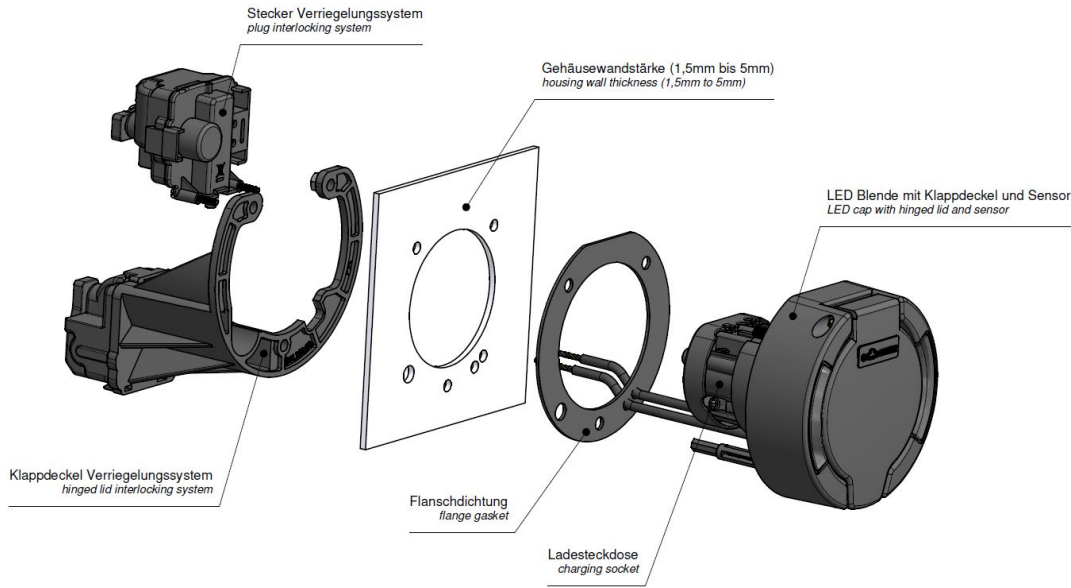
Kennzeichnung symbol	Farbe der Anschlussleitung wire color	Anschluss connection
+12V DC	braun brown	Spannungsquelle +12V DC voltage supply +12V DC
R (GND)	gelb yellow	RGB LED Steuerungsmodul RGB LED controller
G (GND)	grün green	RGB LED Steuerungsmodul RGB LED controller
B (GND)	weiß white	RGB LED Steuerungsmodul RGB LED controller

Dimensional drawing



Exploded view

Further cable lengths and individual colour adjustment on request.



Passing on to third parties only with the approval of Bals Elektrotechnik GmbH & Co. KG
Subject to technical modifications and typographical errors
Only valid at the time of printing. In case of recycling, check the current version.