

Charging socket Front mounting



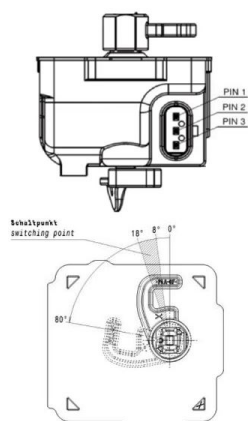
Charging socket

Part no.:	E-81195-63
Protection class installed	IP54
Arrangement of phases	3p+N+PE and PP+CP
Current	20A
Current control contacts	2A
Rated operating voltage	200/346-240/415V
Rated operating voltage contro	30V
Insulation voltage	500V
Mean time to failure MTTF	>10 000 connections without load
Contact surface material	Silver plated brass
Connection design	Screw connection, Conductor cross-section from 6mm ² to 25mm ² and 0,5mm ² for CP and PP
Material of enclosure	strengthened thermo-shape material
Colour of appliance	Enclosure black RAL 9005

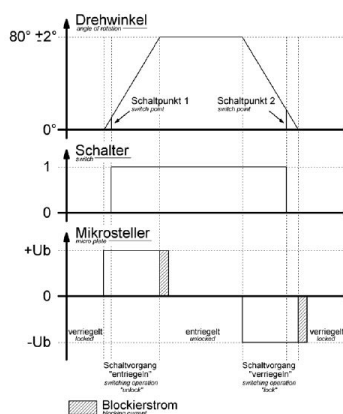
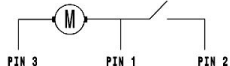
Actuator - Interlocking system

Number of poles actuator	3p
Nominal voltage	12V DC
Operating voltage actuator	9V - 15,5V DC
Maximum current consumption	3,2A
No load current	≤250mA
Actuating time	200ms < t < 10s, Voltage and temperature dependent, not suitable for permanents power supply
Stability of stop position	≤6° (with short-circuited motor)
Operating temperature range	-30°C to +50°C
Life time	60,000 switching cycles in total
Assembly element	fixable push-together system
Connection for actuator	connecting cable with junction Type E-314-1000 (1000mm length – 3x0,5mm ²) - Not included in the delivery.

Connection table - Actuator



Funktion function	PIN 1	PIN 3
Entriegeln unlocking	-	+
Verriegeln interlocking	+	-



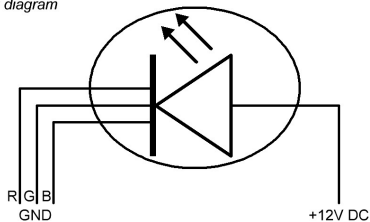
LED lighting

Number of poles LED lighting	4p
Polarity	Common anode
Rated voltage LED	12V DC
Maximum current consumption	75mA
Connection cable LED	1000mm length - 4x0,147mm ² Ends tin plated

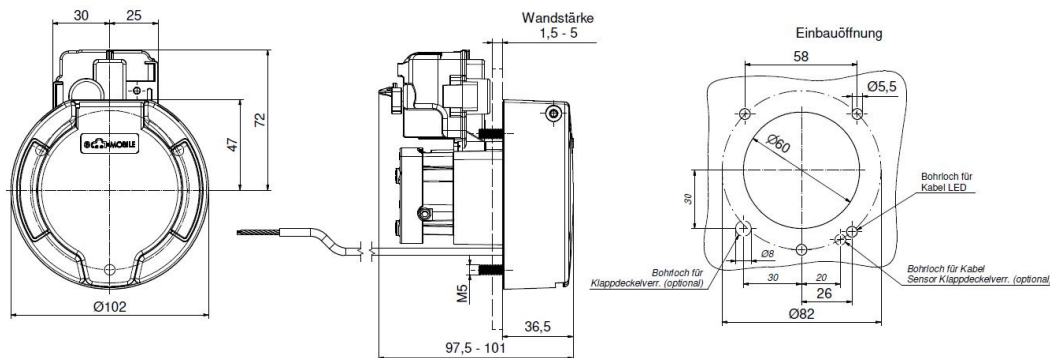
Connection table - Hinged lid sensor / LED lighting

Dimensional drawing

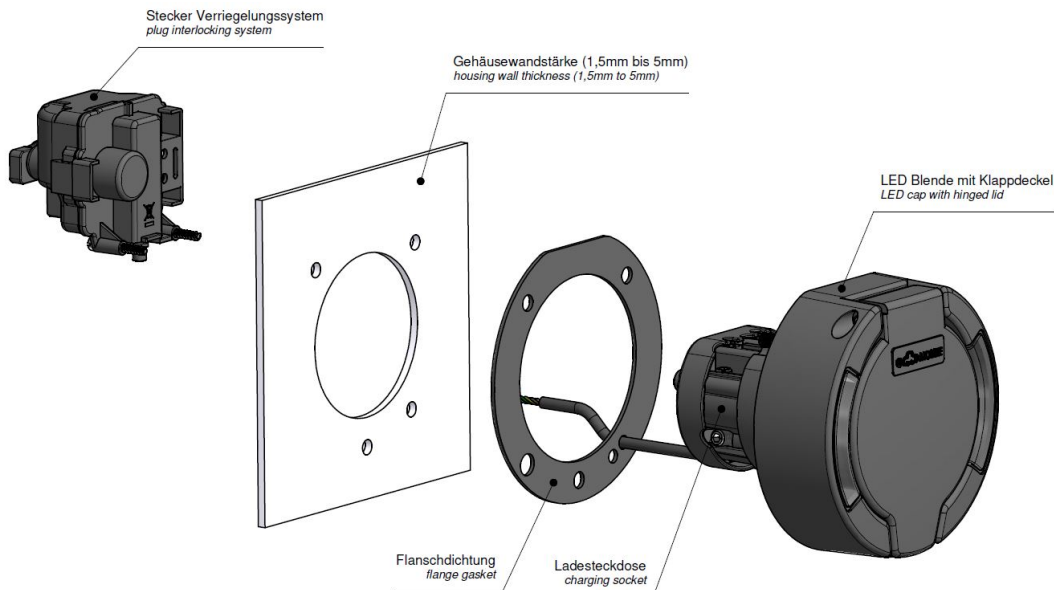
LED Beleuchtung Schaltplan LED lightning diagram



Kennzeichnung symbol	Farbe der Anschlussleitung wire color	Anschluss connection
+12V DC	braun brown	Spannungsquelle +12V DC voltage supply +12V DC
R (GND)	gelb yellow	RGB LED Steuerungsmodul RGB LED controller
G (GND)	grün green	RGB LED Steuerungsmodul RGB LED controller
B (GND)	weiß white	RGB LED Steuerungsmodul RGB LED controller



Exploded view



Further cable lengths and individual colour adjustment on request.
 Passing on to third parties only with the approval of Bals Elektrotechnik GmbH & Co. KG
 Subject to technical modifications and typographical errors
 Only valid at the time of printing. In case of recycling, check the current version.