

Charging socket Front mounting



Charging socket

Part no.: E-83194-32E0700A

Protection class installed IP54

Arrangement of phases 3p+N+PE and PP+CP

Current 32A

Current control contacts 2A

Rated operating voltage 200/346-240/415V

Rated operating voltage contro 30V

Insulation voltage 500V

Mean time to failure MTTF >10 000 connections without load

Contact surface material Silver plated brass

Connection design with crimped contacts

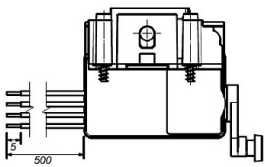
Material of enclosure strengthened thermo-shape material

Colour of appliance Enclosure black RAL 9005

Actuator - Interlocking system

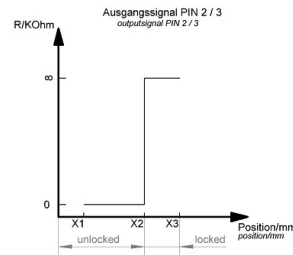
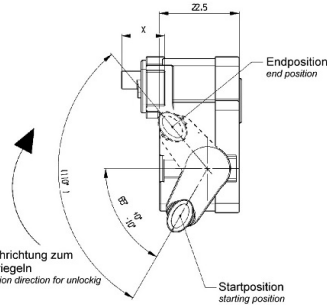
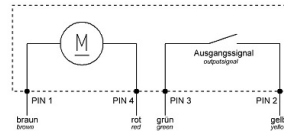
Number of poles actuator	4p
Nominal voltage	12V DC
Operating voltage actuator	9V - 16V DC
Maximum current consumption	1,0A
No load current	80mA +/- 30mA / 12V
Actuating time	430ms < t < 60s, Voltage and temperature dependent, not suitable for permanents power supply
Operating temperature range	-40°C to +90°C
Life time	50.000 switching cycles total
Assembly element	fixable push-together system
Connection for actuator	4 x connecting wire (FLRY-A 0,5mm ²), 500mm long wire end: 5mm stripped and tinned

Connection table - Actuator



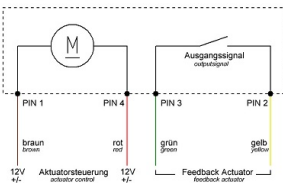
Ladesteckerverriegelung plug interlock

Funktion function	PIN 1	PIN 4
Entriegeln unlocking	+	-
Verriegeln locking	-	+

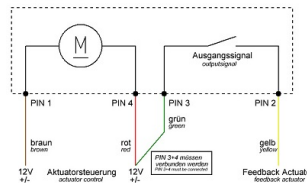


X	Status status	Position in mm position in mm
X1	nicht verriegelt unlocked	12,15 :0.5
X2	Schaltpunkt switching point	15,60 :0.5
X3	verriegelt locked	17,00 :0.5

Vierleiter-Variante four wire - variant

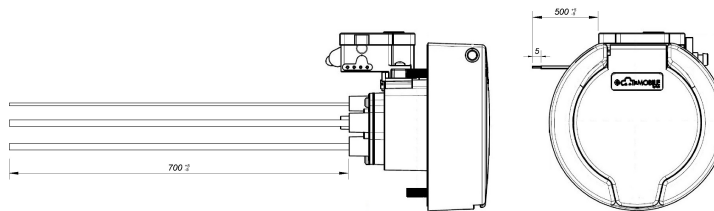


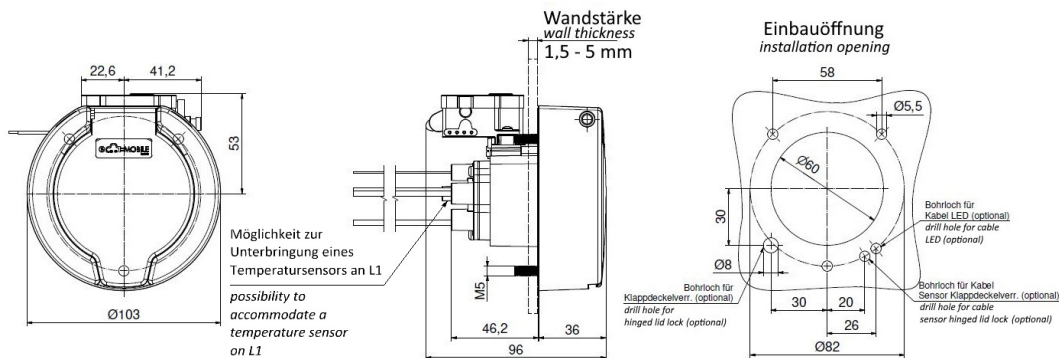
Dreileiter-Variante three wire - variant



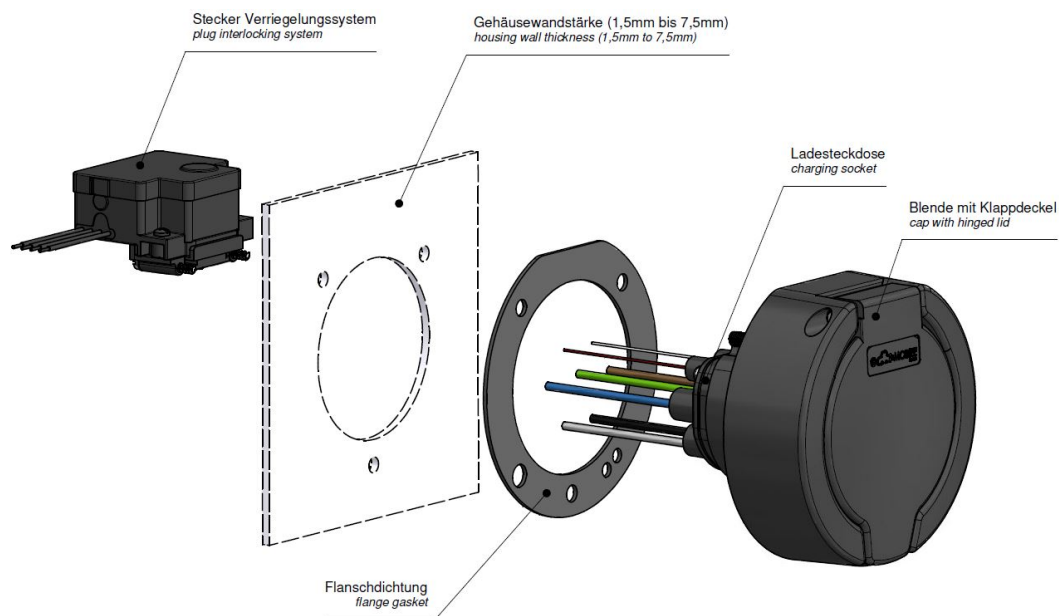
Dimensional drawing

Anschluss connection	Leitungsart wire type	Querschnitt cross-section	Farbe color
L1	H07V2-K	6.0mm ²	braun / brown
L2	H07V2-K	6.0mm ²	schwarz / black
L3	H07V2-K	6.0mm ²	grau / gray
N	H07V2-K	6.0mm ²	blau / blue
PE	H07V2-K	6.0mm ²	grün-gelb / green-yellow
CP	H05V2-K	0.5mm ²	rot / red
CP	H05V2-K	0.5mm ²	weiß / white
Aktuator PIN1	FLRY-A	0.5mm ²	braun / brown
Aktuator PIN2	FLRY-A	0.5mm ²	gelb / yellow
Aktuator PIN3	FLRY-A	0.5mm ²	grün / green
Aktuator PIN4	FLRY-A	0.5mm ²	rot / red





Exploded view



Further cable lengths and individual colour adjustment on request.
 Passing on to third parties only with the approval of Bals Elektrotechnik GmbH & Co. KG
 Subject to technical modifications and typographical errors
 Only valid at the time of printing. In case of recycling, check the current version.