

Charging socket Front mounting



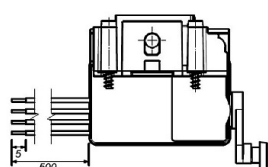
Charging socket

Part no.:	E-83195-16E0700A
Protection class installed	IP54
Arrangement of phases	3p+N+PE and PP+CP
Current	20A
Current control contacts	2A
Rated operating voltage	200/346-240/415V
Rated operating voltage contro	30V
Insulation voltage	500V
Mean time to failure MTTF	>10 000 connections without load
Contact surface material	Silver plated brass
Connection design	with crimped contacts
Material of enclosure	strengthened thermo-shape material
Colour of appliance	Enclosure black RAL 9005

Actuator - Interlocking system

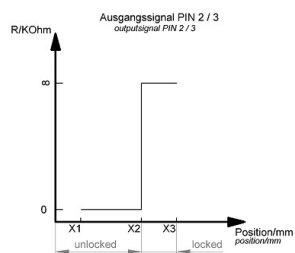
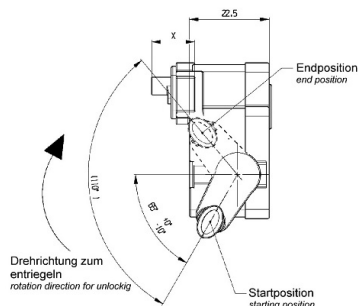
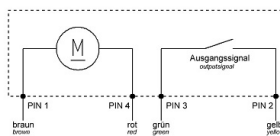
Number of poles actuator	4p
Nominal voltage	12V DC
Operating voltage actuator	9V - 16V DC
Maximum current consumption	1,0A
No load current	80mA +/- 30mA / 12V
Actuating time	430ms < t < 60s, Voltage and temperature dependent, not suitable for permanents power supply
Operating temperature range	-40°C to +90°C
Life time	50.000 switching cycles total
Assembly element	fixable push-together system
Connection for actuator	4 x connecting wire (FLRY-A 0,5mm ²), 500mm long wire end: 5mm stripped and tinned

Connection table - Actuator



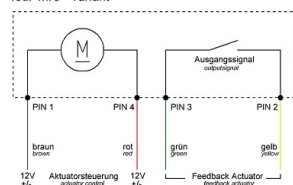
Ladesteckerverriegelung
plug interlock

Funktion function	PIN 1	PIN 4
Entriegeln unlocking	+	-
Verriegeln locking	-	+

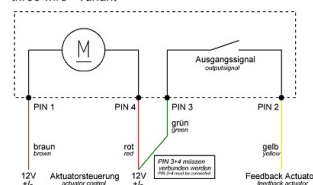


X	Status status	Position in mm position in mm
X1	nicht verriegelt unlocked	12,15 : 0,5
X2	Schaltpunkt switching point	15,60 : 0,5
X3	verriegelt locked	17,00 : 0,5

Vierleiter-Variante
four wire - variant



Dreileiter-Variante
three wire - variant



LED lighting

Number of poles LED lighting	4p
Polarity	Common anode
Rated voltage LED	12V DC
Maximum current consumption	75mA

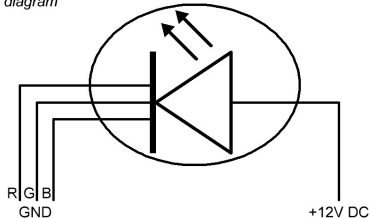
LED lighting

Connection cable LED

1000mm length - 4x0,147mm² Ends tin plated

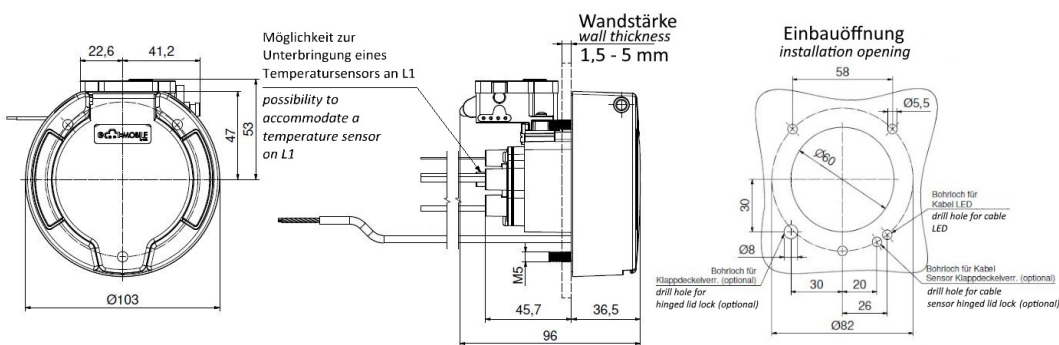
Connection table - Hinged lid sensor / LED lighting

LED Beleuchtung Schaltplan
LED lightning diagram

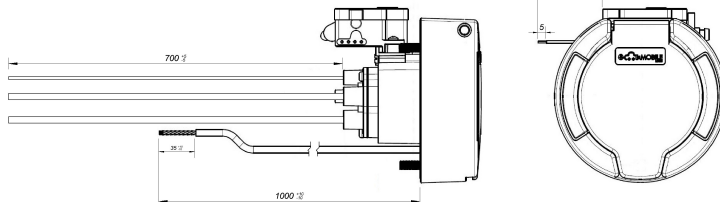


Kennzeichnung symbol	Farbe der Anschlussleitung wire color	Anschluss connection
+12V DC	braun brown	Spannungsquelle +12V DC voltage supply +12V DC
R (GND)	gelb yellow	RGB LED Steuerungsmodul RGB LED controller
G (GND)	grün green	RGB LED Steuerungsmodul RGB LED controller
B (GND)	weiß white	RGB LED Steuerungsmodul RGB LED controller

Dimensional drawing



Anschluss connection	Leitungsart wire type	Querschnitt cross-section	Farbe color
L1	H07V2-K	2.5mm ²	braun / brown
L2	H07V2-K	2.5mm ²	schwarz / black
L3	H07V2-K	2.5mm ²	grau / grey
N	H07V2-K	2.5mm ²	blau / blue
PE	H07V2-K	2.5mm ²	grün-gelb / green-yellow
CP	H05V2-K	0.5mm ²	rot / red
PP	H05V2-K	0.5mm ²	weiß / white
LED +12VDC	LIYCY	0.14mm ²	braun / brown
LED R - GND	LIYCY	0.14mm ²	gelb / yellow
LED G - GND	LIYCY	0.14mm ²	grün / green
LED B - GND	LIYCY	0.14mm ²	weiß / white
Aktuator PIN1	FLRY-A	0.5mm ²	braun / brown
Aktuator PIN2	FLRY-A	0.5mm ²	gelb / yellow
Aktuator PIN3	FLRY-A	0.5mm ²	grün / green
Aktuator PIN4	FLRY-A	0.5mm ²	rot / red



Exploded view

Further cable lengths and individual colour adjustment on request.

Passing on to third parties only with the approval of Bals Elektrotechnik GmbH & Co. KG

Subject to technical modifications and typographical errors

Only valid at the time of printing. In case of recycling, check the current version.

