

# Charging socket Front mounting



## Charging socket

Part no.:	E-83195-32E0700A
Protection class installed	IP54
Arrangement of phases	3p+N+PE and PP+CP
Current	32A
Current control contacts	2A
Rated operating voltage	200/346-240/415V
Rated operating voltage contro	30V
Insulation voltage	500V
Mean time to failure MTTF	>10 000 connections without load
Contact surface material	Silver plated brass
Connection design	with crimped contacts
Material of enclosure	strengthened thermo-shape material
Colour of appliance	Enclosure black RAL 9005



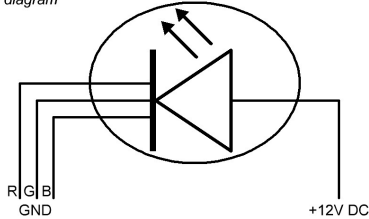
## LED lighting

Connection cable LED

1000mm length - 4x0,147mm<sup>2</sup> Ends tin plated

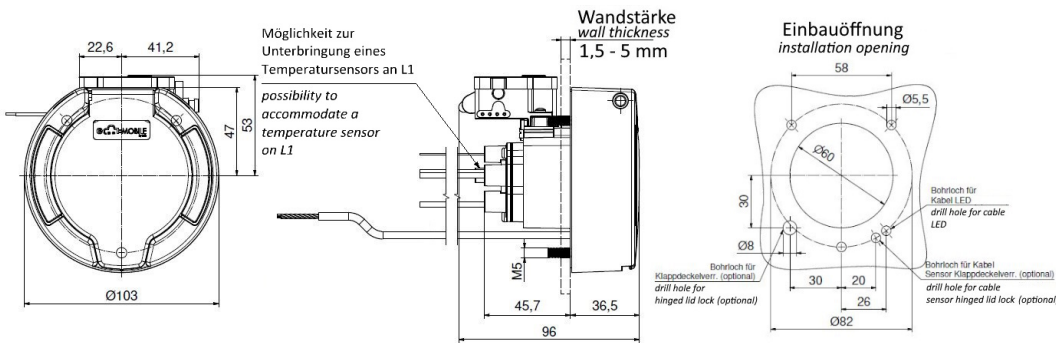
## Connection table - Hinged lid sensor / LED lighting

LED Beleuchtung Schaltplan  
LED lightning diagram

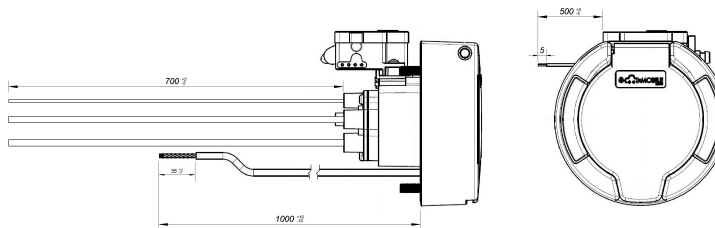


Kennzeichnung symbol	Farbe der Anschlussleitung wire color	Anschluss connection
+12V DC	braun brown	Spannungsquelle +12V DC voltage supply +12V DC
R (GND)	gelb yellow	RGB LED Steuerungsmodul RGB LED controller
G (GND)	grün green	RGB LED Steuerungsmodul RGB LED controller
B (GND)	weiß white	RGB LED Steuerungsmodul RGB LED controller

## Dimensional drawing



Anschluss connection	Leitungsart wire type	Querschnitt cross-section	Farbe color
L1	H07V2-K	6.0mm <sup>2</sup>	braun / brown
L2	H07V2-K	6.0mm <sup>2</sup>	schwarz / black
L3	H07V2-K	6.0mm <sup>2</sup>	grau / grey
N	H07V2-K	6.0mm <sup>2</sup>	blau / blue
PE	H07V2-K	6.0mm <sup>2</sup>	grün-gelb / green-yellow
CP	H05V2-K	0.5mm <sup>2</sup>	rot / red
PP	H05V2-K	0.5mm <sup>2</sup>	weiß / white
LED +12VDC	LIYCY	0.14mm <sup>2</sup>	braun / brown
LED R - GND	LIYCY	0.14mm <sup>2</sup>	gelb / yellow
LED G - GND	LIYCY	0.14mm <sup>2</sup>	grün / green
LED B - GND	LIYCY	0.14mm <sup>2</sup>	weiß / white
Aktuator PIN1	FLRY-A	0.5mm <sup>2</sup>	braun / brown
Aktuator PIN2	FLRY-A	0.5mm <sup>2</sup>	gelb / yellow
Aktuator PIN3	FLRY-A	0.5mm <sup>2</sup>	grün / green
Aktuator PIN4	FLRY-A	0.5mm <sup>2</sup>	rot / red



## Exploded view

Further cable lengths and individual colour adjustment on request.

Passing on to third parties only with the approval of Bals Elektrotechnik GmbH & Co. KG

Subject to technical modifications and typographical errors

Only valid at the time of printing. In case of recycling, check the current version.

