

Charging socket Rear mounting



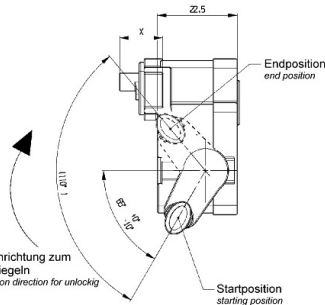
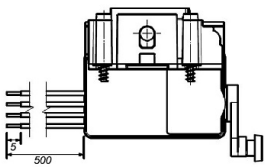
Charging socket

Part no.:	E-83205-16E0700A
Protection class installed	IP54
Arrangement of phases	3p+N+PE and PP+CP
Current	20A
Current control contacts	2A
Rated operating voltage	200/346-240/415V
Rated operating voltage contro	30V
Insulation voltage	500V
Mean time to failure MTTF	>10 000 connections without load
Contact surface material	Silver plated brass
Connection design	with crimped contacts
Material of enclosure	strengthened thermo-shape material
Colour of appliance	Enclosure black RAL 9005

Actuator - Interlocking system

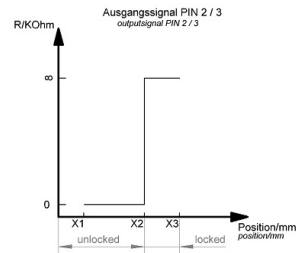
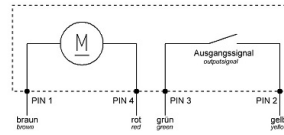
Number of poles actuator	4p
Nominal voltage	12V DC
Operating voltage actuator	9V - 16V DC
Maximum current consumption	1,0A
No load current	80mA +/- 30mA / 12V
Actuating time	430ms < t < 60s, Voltage and temperature dependent, not suitable for permanents power supply
Operating temperature range	-40°C to +90°C
Life time	50.000 switching cycles total
Assembly element	fixable push-together system
Connection for actuator	4 x connecting wire (FLRY-A 0,5mm ²), 500mm long wire end: 5mm stripped and tinned

Connection table - Actuator

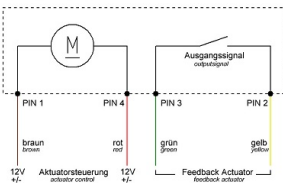


Ladesteckerverriegelung plug interlock

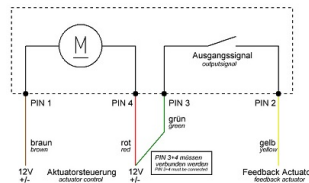
Funktion function	PIN 1	PIN 4
Entriegeln unlocking	+	-
Verriegeln locking	-	+



Vierleiter-Variante four wire - variant

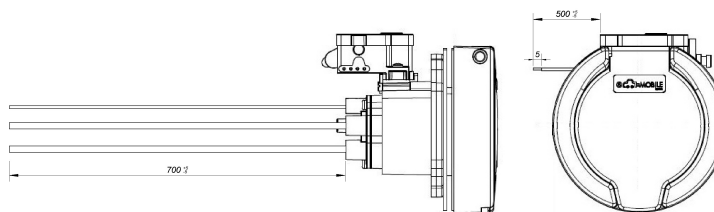


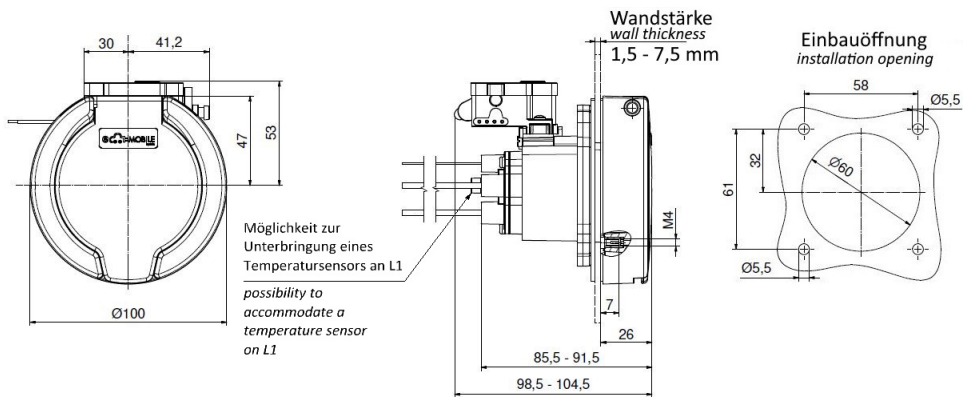
Dreileiter-Variante three wire - variant



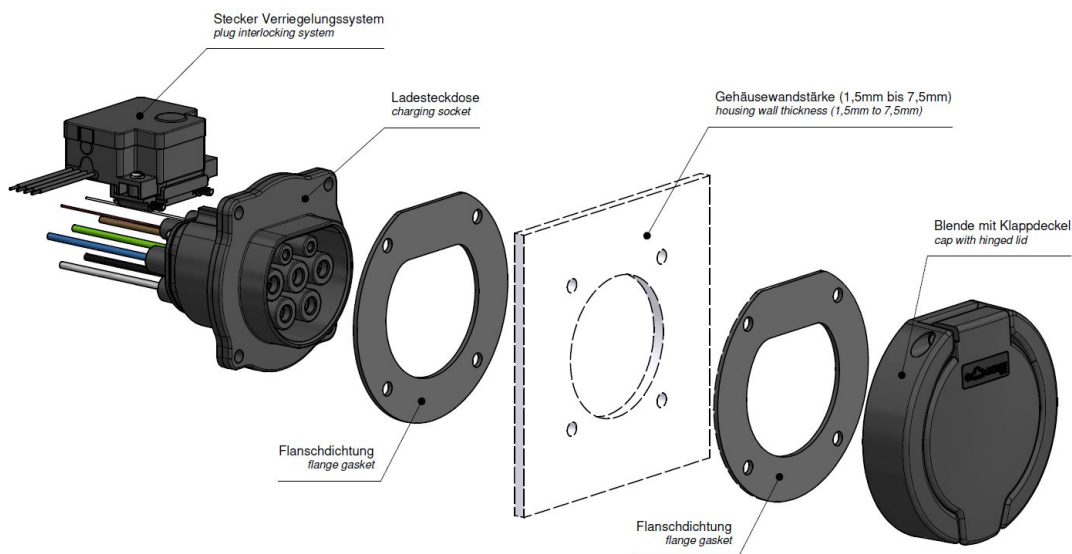
Dimensional drawing

Anschluss connection	Leitungsart wire type	Querschnitt cross-section	Farbe color
L1	H07V2-K	2,5mm ²	braun / brown
L2	H07V2-K	2,5mm ²	schwarz / black
L3	H07V2-K	2,5mm ²	grau / grey
N	H07V2-K	2,5mm ²	blau / blue
PE	H07V2-K	2,5mm ²	grün-gelb / green-yellow
CP	H05V2-K	0,5mm ²	rot / red
PP	H05V2-K	0,5mm ²	weiß / white
Aktuator PIN1	FLRY-A	0,5mm ²	braun / brown
Aktuator PIN2	FLRY-A	0,5mm ²	gelb / yellow
Aktuator PIN3	FLRY-A	0,5mm ²	grün / green
Aktuator PIN4	FLRY-A	0,5mm ²	rot / red





Exploded view



Further cable lengths and individual colour adjustment on request.
 Passing on to third parties only with the approval of Bals Elektrotechnik GmbH & Co. KG
 Subject to technical modifications and typographical errors
 Only valid at the time of printing. In case of recycling, check the current version.