

Charging socket Rear mounting



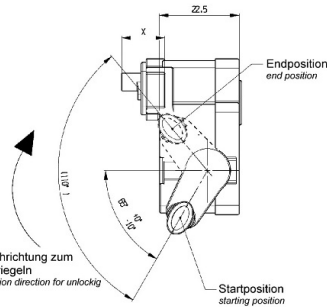
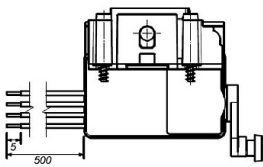
Charging socket

| | |
|--------------------------------|------------------------------------|
| Part no.: | E-83205-32E0700A |
| Protection class installed | IP54 |
| Arrangement of phases | 3p+N+PE and PP+CP |
| Current | 32A |
| Current control contacts | 2A |
| Rated operating voltage | 200/346-240/415V |
| Rated operating voltage contro | 30V |
| Insulation voltage | 500V |
| Mean time to failure MTTF | >10 000 connections without load |
| Contact surface material | Silver plated brass |
| Connection design | with crimped contacts |
| Material of enclosure | strengthened thermo-shape material |
| Colour of appliance | Enclosure black RAL 9005 |

Actuator - Interlocking system

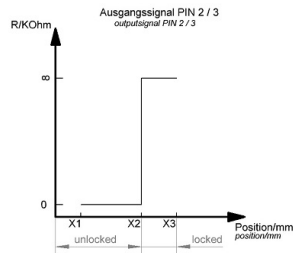
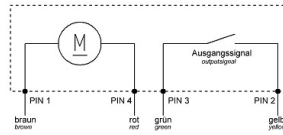
| | |
|-----------------------------|---|
| Number of poles actuator | 4p |
| Nominal voltage | 12V DC |
| Operating voltage actuator | 9V - 16V DC |
| Maximum current consumption | 1,0A |
| No load current | 80mA +/- 30mA / 12V |
| Actuating time | 430ms < t < 60s, Voltage and temperature dependent, not suitable for permanents power supply |
| Operating temperature range | -40°C to +90°C |
| Life time | 50.000 switching cycles total |
| Assembly element | fixable push-together system |
| Connection for actuator | 4 x connecting wire (FLRY-A 0,5mm ²), 500mm long wire end: 5mm strpped and tinned |

Connection table - Actuator



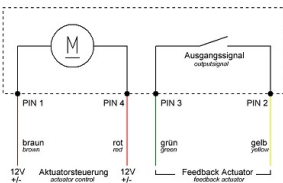
Ladesteckerverriegelung plug interlock

| Funktion function | PIN 1 | PIN 4 |
|-------------------------|-------|-------|
| Entriegeln unlocking | + | - |
| Verriegeln locking | - | + |

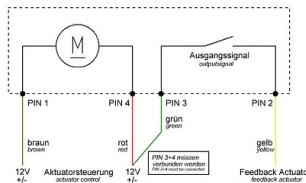


| X | Status status | Position in mm position in mm |
|----|--------------------------------|----------------------------------|
| X1 | nicht verriegelt unlocked | 12,15 : 0,5 |
| X2 | Schaltpunkt switching point | 15,60 : 0,5 |
| X3 | verriegelt locked | 17,00 : 0,5 |

Vierleiter-Variante four wire - variant

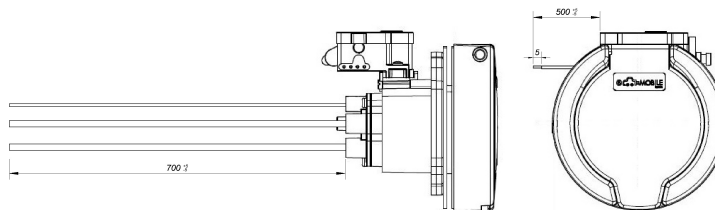


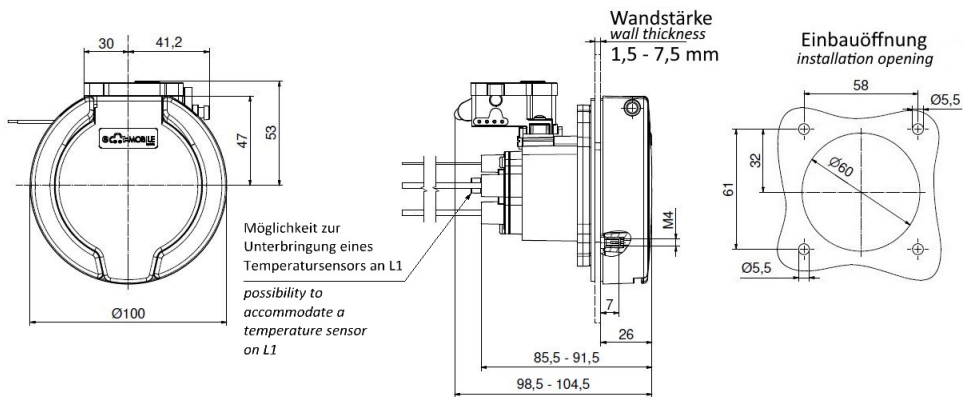
Dreileiter-Variante three wire - variant



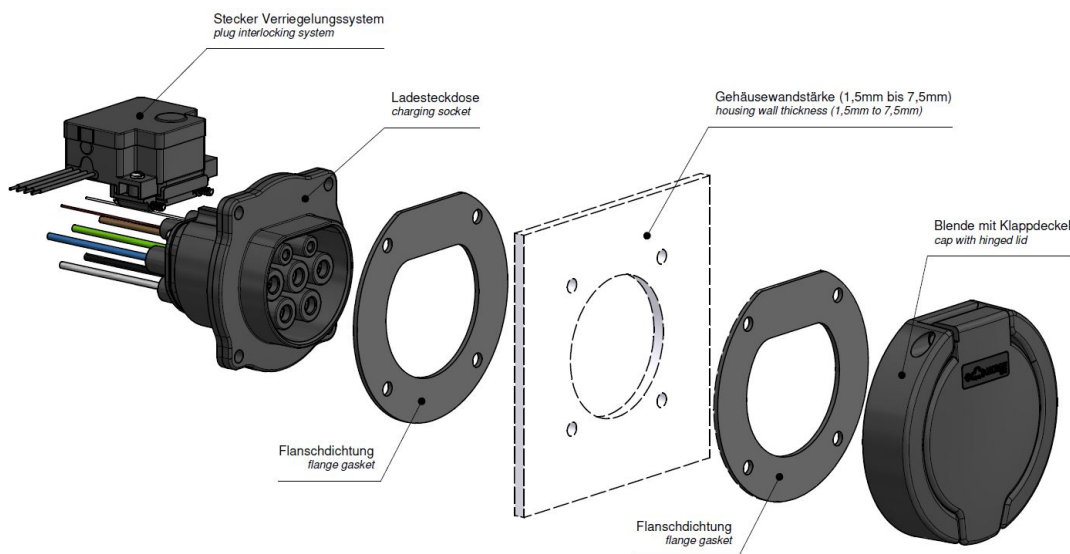
Dimensional drawing

| Anschluss connection | Leitungsart wire type | Querschnitt cross-section | Farbe color |
|-------------------------|--------------------------|------------------------------|--------------------------|
| L1 | H07V2-K | 6,0mm ² | braun / brown |
| L2 | H07V2-K | 6,0mm ² | schwarz / black |
| L3 | H07V2-K | 6,0mm ² | grau / grey |
| N | H07V2-K | 6,0mm ² | blau / blue |
| PE | H07V2-K | 6,0mm ² | grün-gelb / green-yellow |
| CP | H05V2-K | 0,5mm ² | rot / red |
| PP | H05V2-K | 0,5mm ² | weiß / white |
| Aktuator PIN1 | FLRY-A | 0,5mm ² | braun / brown |
| Aktuator PIN2 | FLRY-A | 0,5mm ² | gelb / yellow |
| Aktuator PIN3 | FLRY-A | 0,5mm ² | grün / green |
| Aktuator PIN4 | FLRY-A | 0,5mm ² | rot / red |





Exploded view



Further cable lengths and individual colour adjustment on request.
 Passing on to third parties only with the approval of Bals Elektrotechnik GmbH & Co. KG
 Subject to technical modifications and typographical errors
 Only valid at the time of printing. In case of recycling, check the current version.