

# Charging socket Front mounting



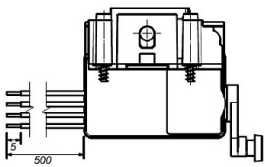
## Charging socket

Part no.:	E-83300-32E0700A
Protection class installed	IP54
Arrangement of phases	3p+N+PE and PP+CP
Current	32A
Current control contacts	2A
Rated operating voltage	200/346-240/415V
Rated operating voltage contro	30V
Insulation voltage	500V
Mean time to failure MTTF	>10 000 connections without load
Contact surface material	Silver plated brass
Connection design	with crimped contacts
Material of enclosure	strengthened thermo-shape material
Colour of appliance	Enclosure black RAL 9005

## Actuator - Interlocking system

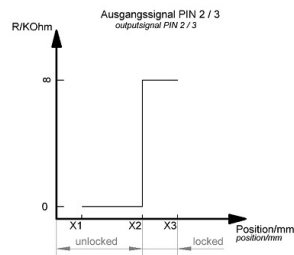
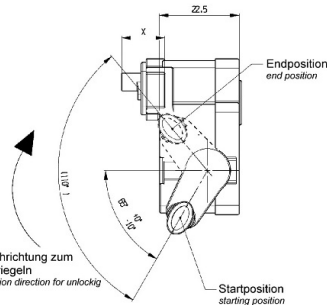
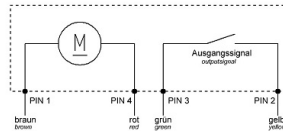
Number of poles actuator	4p
Nominal voltage	12V DC
Operating voltage actuator	9V - 16V DC
Maximum current consumption	1,0A
No load current	80mA +/- 30mA / 12V
Actuating time	430ms < t < 60s, Voltage and temperature dependent, not suitable for permanents power supply
Operating temperature range	-40°C to +90°C
Life time	50.000 switching cycles total
Assembly element	fixable push-together system
Connection for actuator	4 x connecting wire (FLRY-A 0,5mm <sup>2</sup> ), 500mm long wire end: 5mm strpped and tinned

## Connection table - Actuator

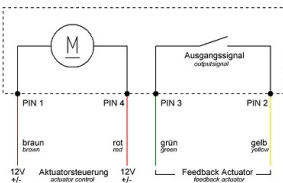


### Ladesteckerverriegelung plug interlock

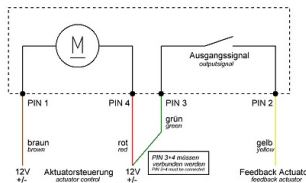
Funktion function	PIN 1	PIN 4
Entriegeln unlocking	+	-
Verriegeln locking	-	+



### Vierleiter-Variante four wire - variant

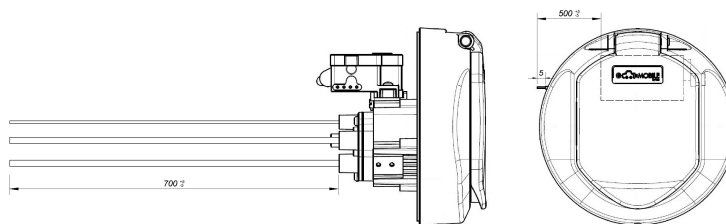


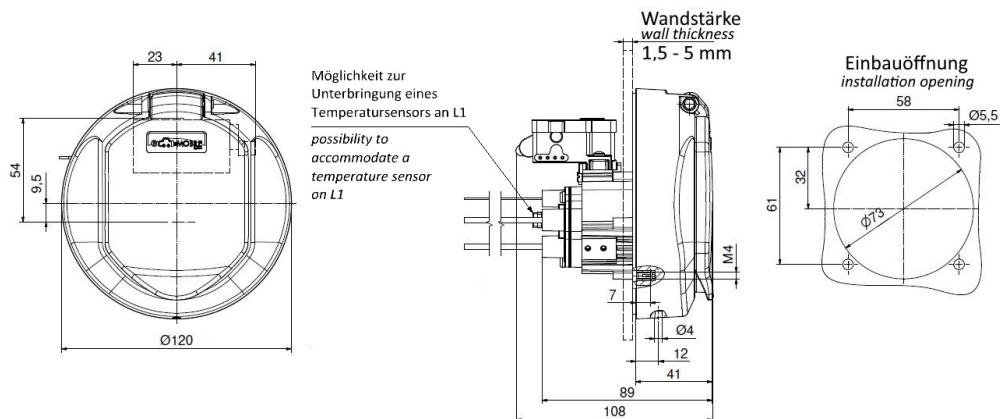
### Dreileiter-Variante three wire - variant



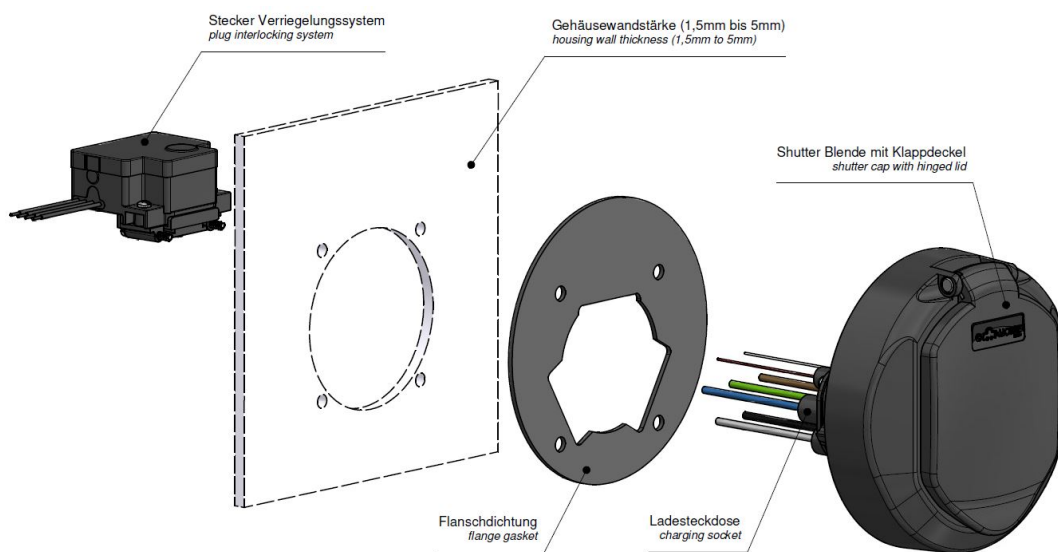
## Dimensional drawing

Anschluss connection	Leitungsart wire type	Querschnitt cross-section	Farbe color
L1	H07V2-K	6.0mm <sup>2</sup>	braun / brown
L2	H07V2-K	6.0mm <sup>2</sup>	schwarz / black
L3	H07V2-K	6.0mm <sup>2</sup>	grau / gray
N	H07V2-K	6.0mm <sup>2</sup>	blau / blue
PE	H07V2-K	6.0mm <sup>2</sup>	grün-gelb / green-yellow
CP	H05V2-K	0.5mm <sup>2</sup>	rot / red
PP	H05V2-K	0.5mm <sup>2</sup>	weiß / white
Aktuator PIN1	FLRY-A	0.5mm <sup>2</sup>	braun / brown
Aktuator PIN2	FLRY-A	0.5mm <sup>2</sup>	gelb / yellow
Aktuator PIN3	FLRY-A	0.5mm <sup>2</sup>	grün / green
Aktuator PIN4	FLRY-A	0.5mm <sup>2</sup>	rot / red





**Exploded view**



Further cable lengths and individual colour adjustment on request.  
 Passing on to third parties only with the approval of Bals Elektrotechnik GmbH & Co. KG  
 Subject to technical modifications and typographical errors  
 Only valid at the time of printing. In case of recycling, check the current version.